

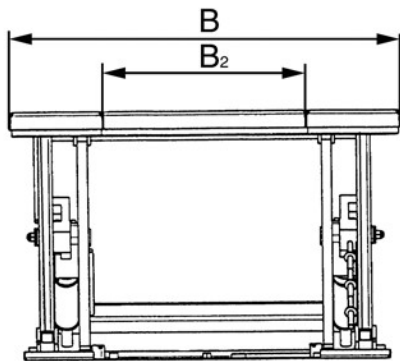
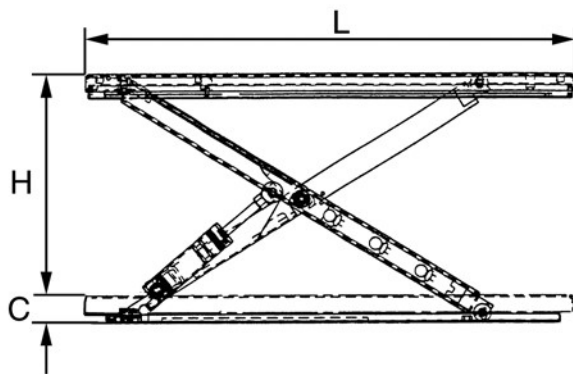
**Flat scissor lifting table
model HTF-U
SILVERLINE**

Capacity 1000 kg

For the professional lifting and handling of loads within a warehouse environment.

Features

- Extremely low-profile design lowering the cost and effort for a pit installation.
- U-design for direct access of industrial trucks.
- Safe operation due to push-button for up/down in dead man's control, as well as emergency stop.
- Overload protection by pressure control valve.
- Integrated pipe burst valve and mechanical rests safe maintenance and operation.
- According to EN 1570-1 and all UVV safety regulations.



Technical data model HTF-U

Model	HTF-U
Art.-No.	040047381
Lifting capacity, t	1.0
Platform B2, mm	585
Platform length L, m	1.45
Platform width B, m	1.14
Overall height C, mm	80
Lift H, m	0.76
Lifting time, sec.	18
Motor, kW	0.75
Weight, kg	235

